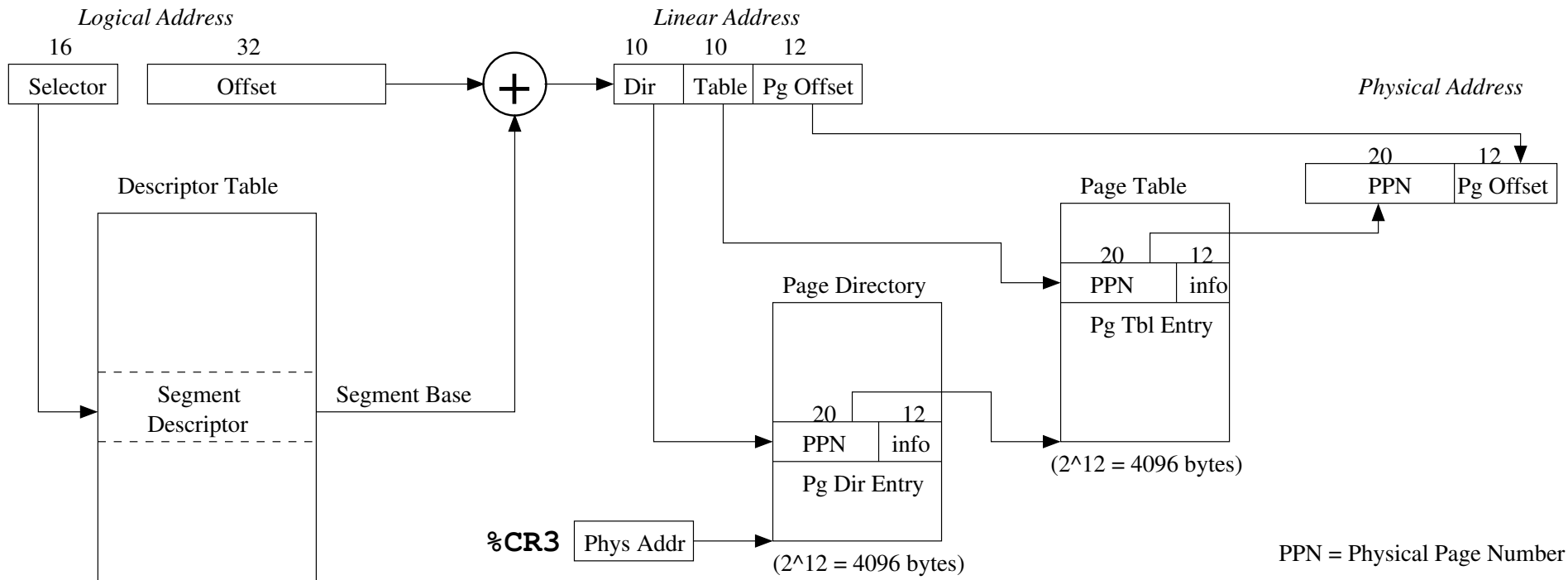
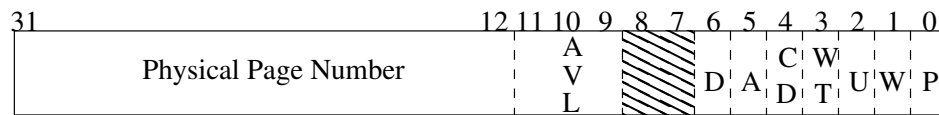


Protected-mode address translation



Detailed Address Translation



Page Table Entry

- P -- Present
- W -- Writable
- U -- User
- WT -- Write-Through (1), Write-Back (0)
- CD -- Cache Disabled
- A -- Accessed
- D -- Dirty
- AVL -- Available for system use

Page Directory Entries are identical except that bit 6 (the Dirty bit) is unused.